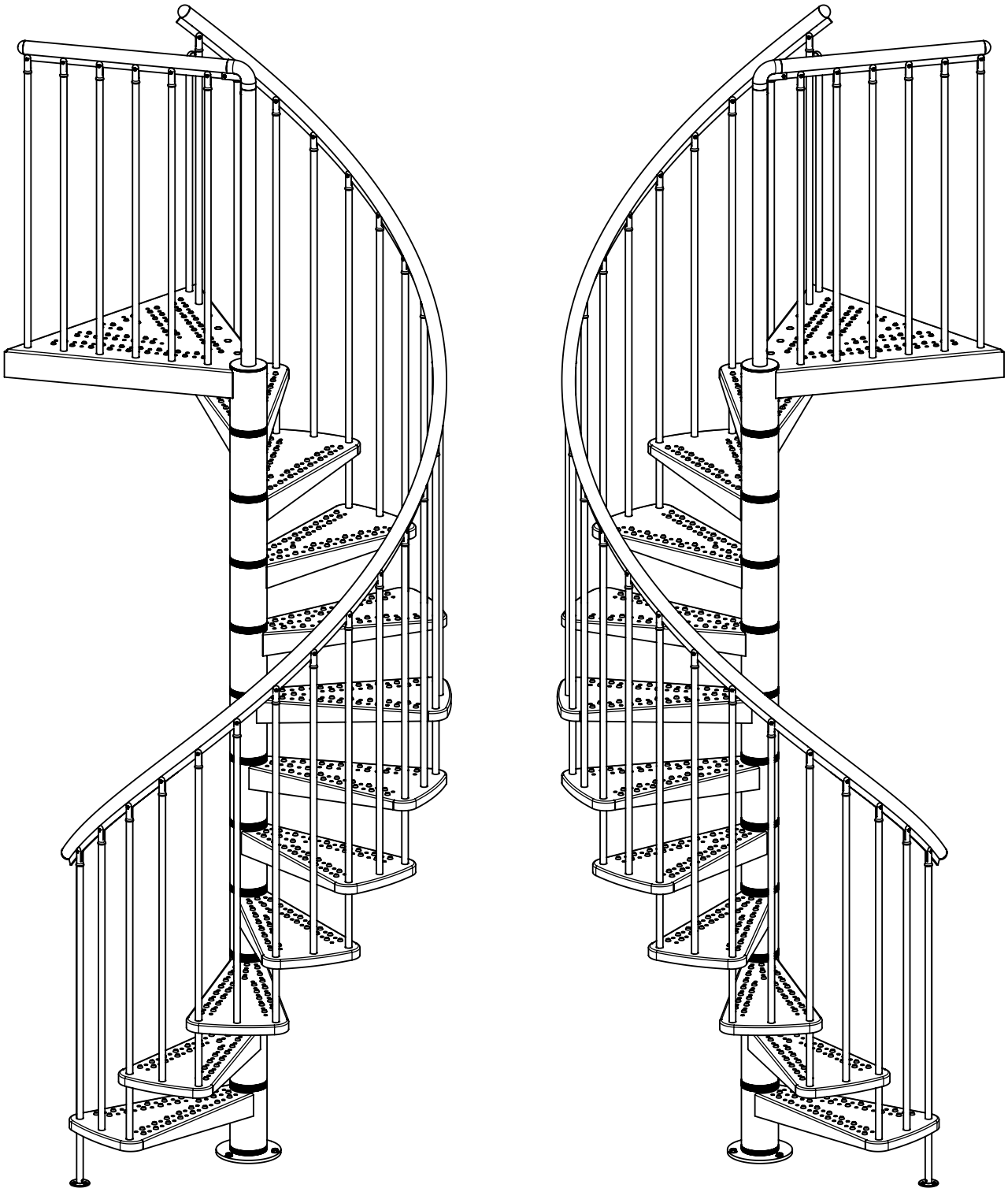
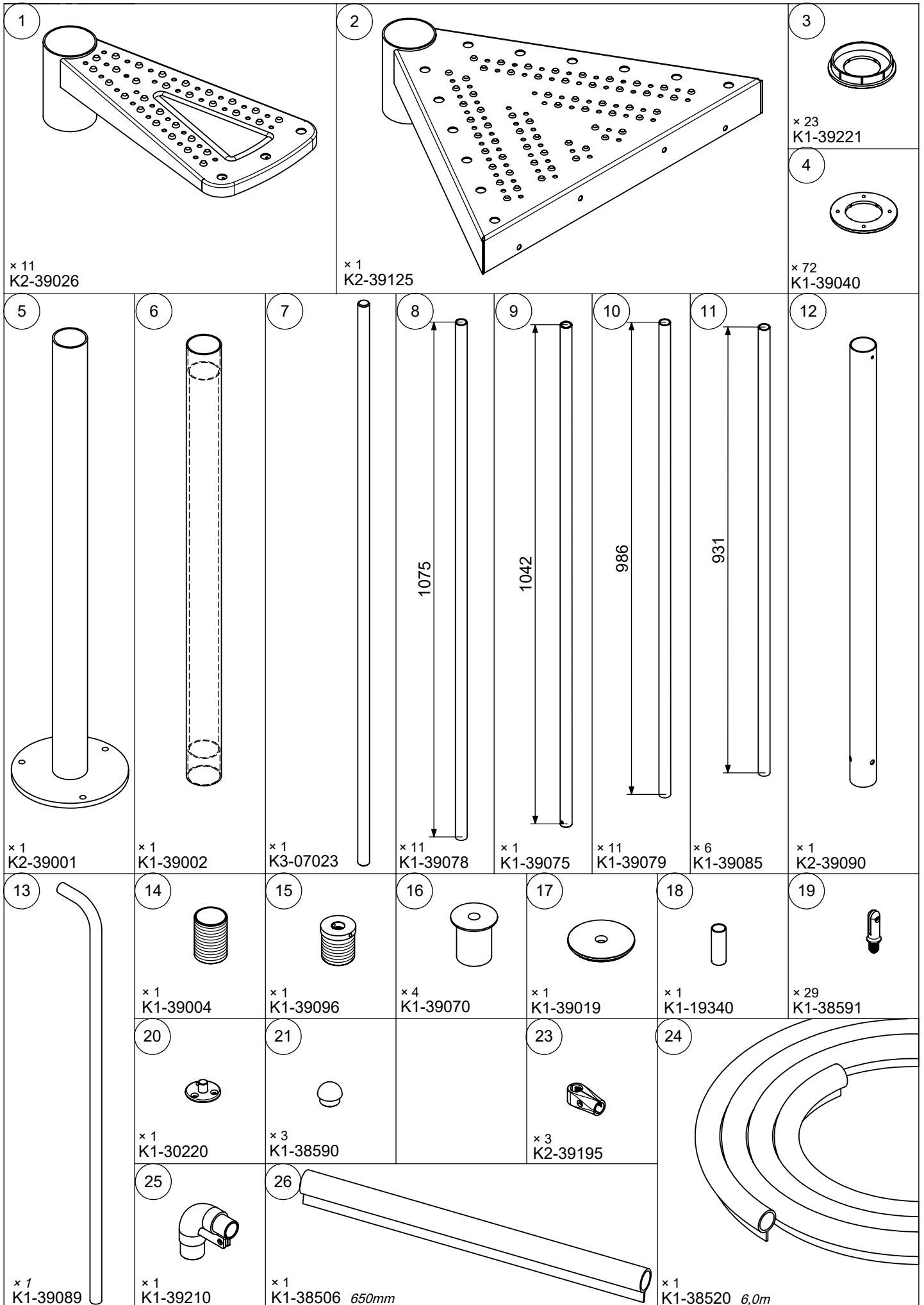



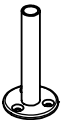

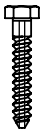












TORONTO / INDUSTRIA V3

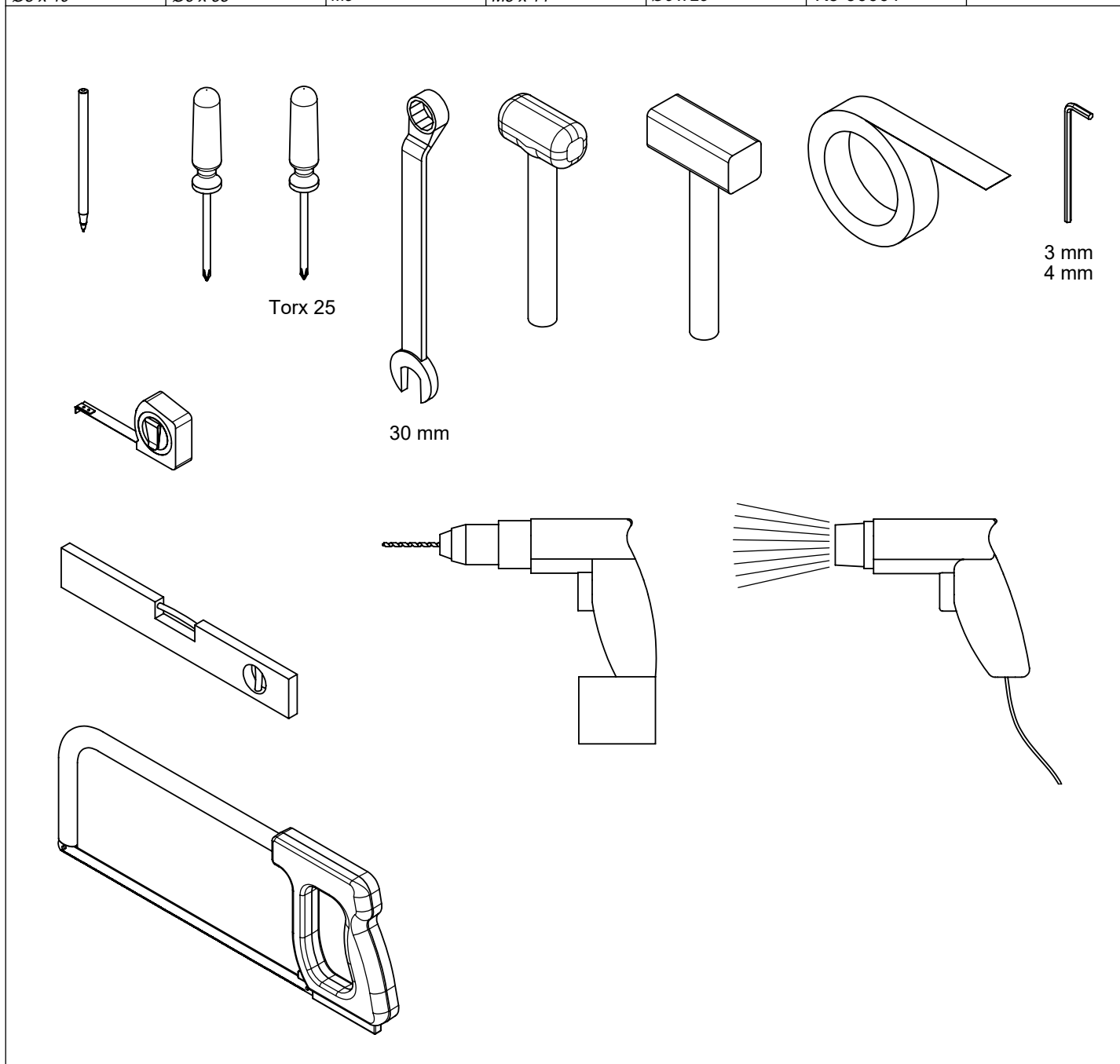
Ø 125 cm

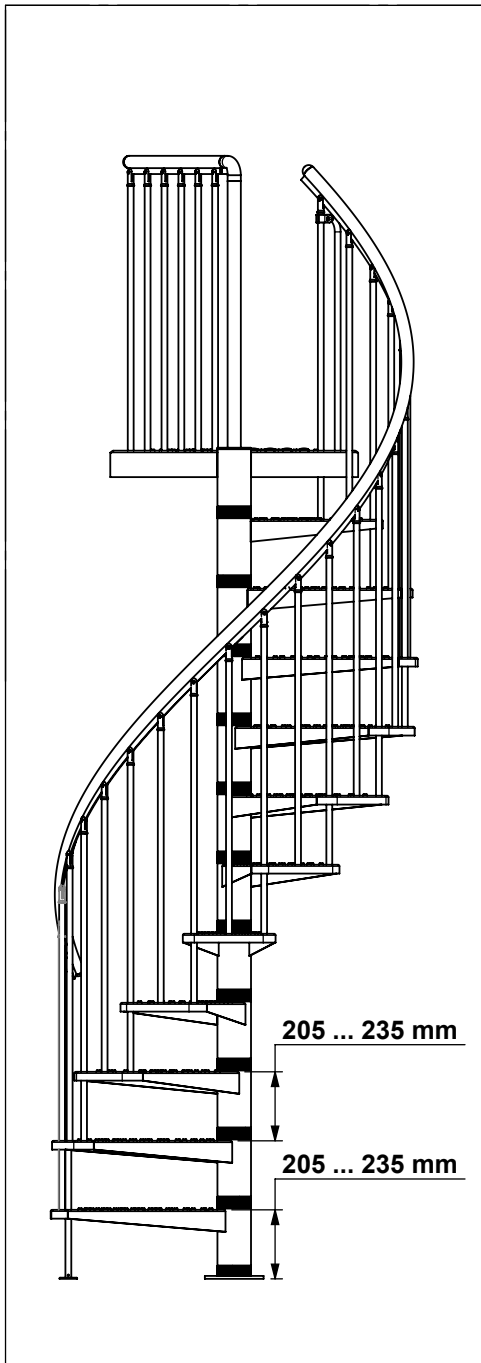
Notice de montage
Installation instruction



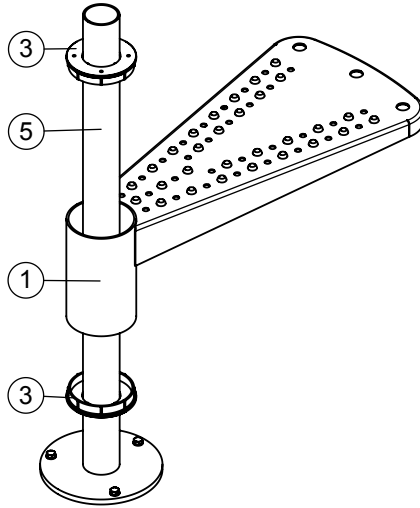


| | | | | | | |
|--|---|--|--|---|---|---|
| <p>27</p>  <p>× 1 K1-39214</p> | <p>28</p>  <p>× 2 K2-39010</p> | <p>33</p>  <p>× 4 K1-39030</p> | | | | |
| <p>50</p>  <p>× 7 K3-06070 Ø10 x 60</p> | <p>51</p>  <p>× 7 K3-04040 Ø10</p> | <p>52</p>  <p>× 7 K3-08001 Ø12 x 60</p> | <p>53</p>  <p>× 2 K3-05021 M8 x 10</p> | <p>54</p>  <p>× 2 K3-03054 M20</p> | <p>55</p>  <p>× 2 K3-04021 Ø20</p> | <p>56</p>  <p>× 85 K3-05055 M6 x 5</p> |
| <p>57</p>  <p>× 9 K3-08002 Ø8 x 40</p> | <p>58</p>  <p>× 9 K3-06007 Ø6 x 35</p> | <p>59</p>  <p>× 30 K3-03050 M5</p> | <p>60</p>  <p>× 30 K3-01201 M5 x 14</p> | <p>69</p>  <p>× 1 R1-63272 Ø6 x 25</p> | <p>70</p>  <p>× 1 K3-90001</p> | |

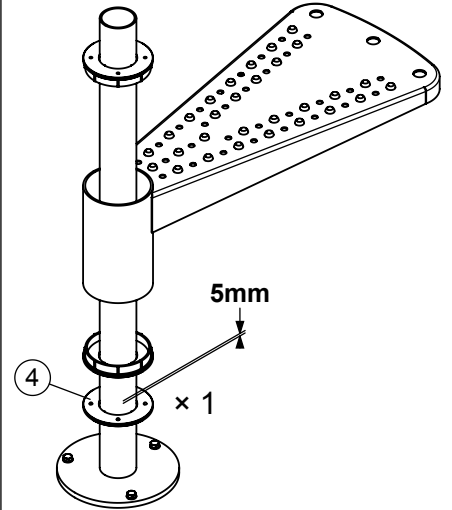




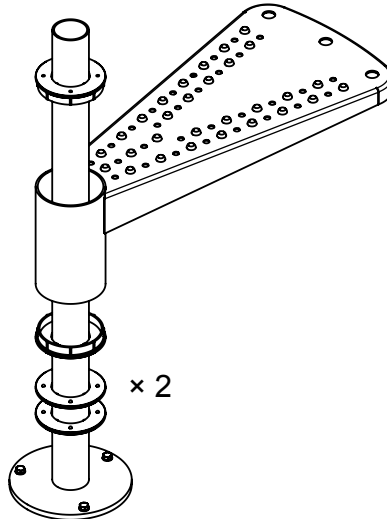
205 mm



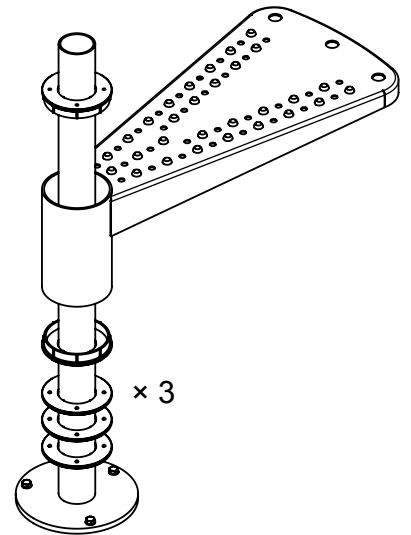
210 mm



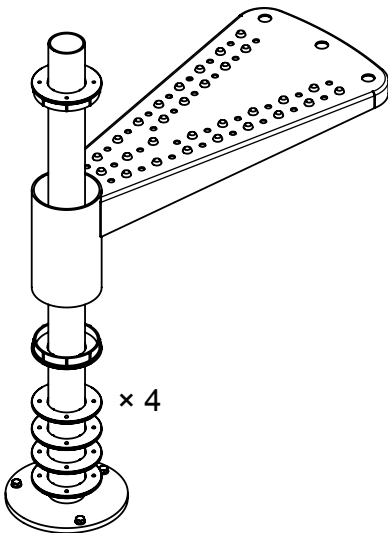
215 mm



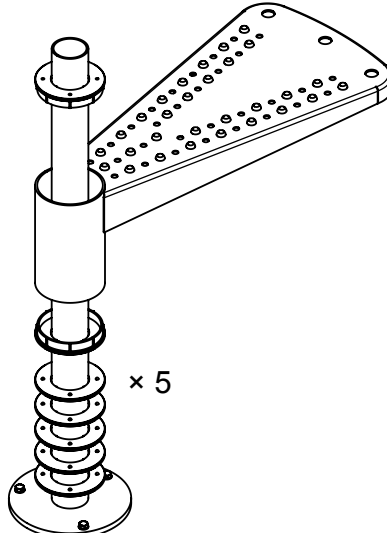
220 mm



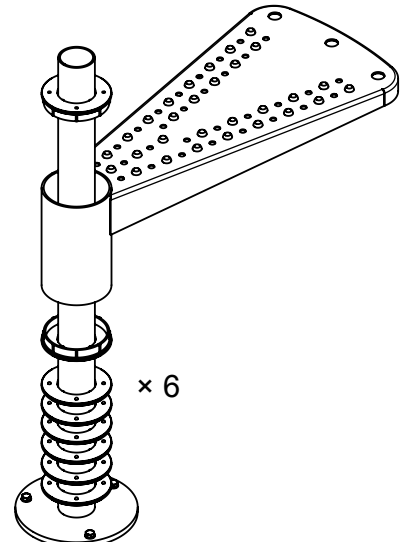
225 mm

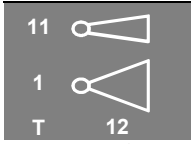


230 mm



235 mm





12

T

4

N
0...6 st (pcs)

P
+ 1 st (pcs)

| 2700 | 5 | T |
|------|---|---|
| 2785 | 5 | 5 |
| 2790 | 5 | 6 |
| 2795 | 5 | 7 |
| 2800 | 5 | 8 |

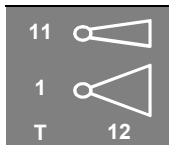
H 2790 mm

P

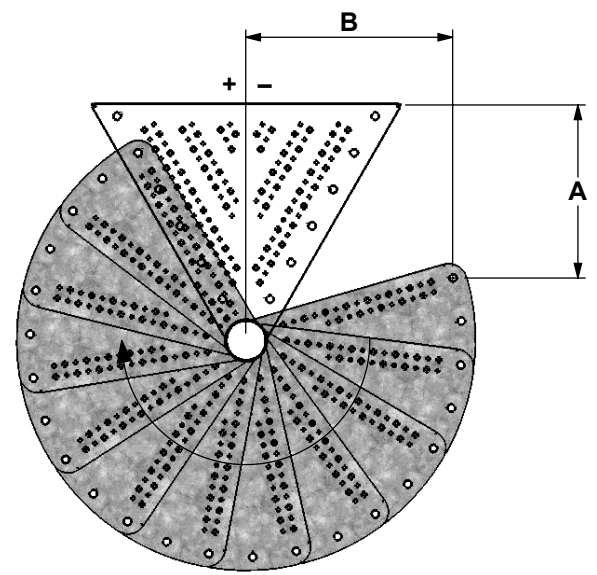
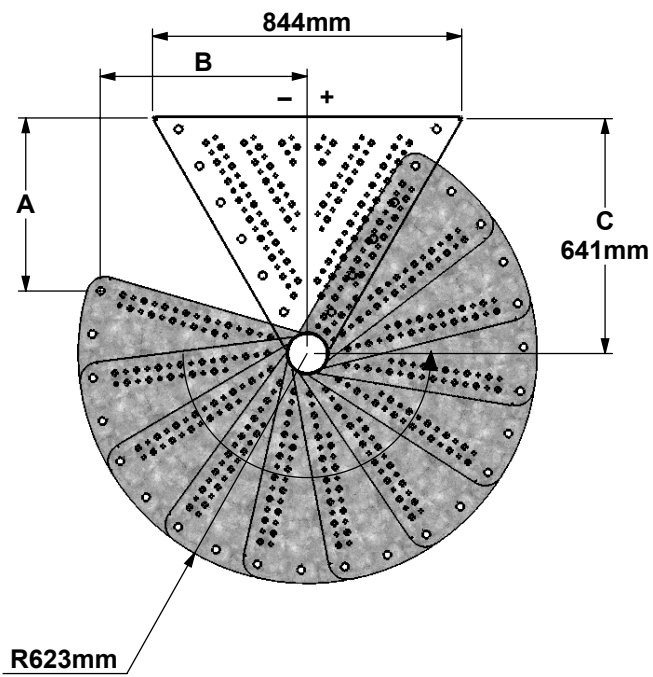
N x T


+ 6 st (pcs)

5 st (pcs) x 12
= 60 st (pcs)

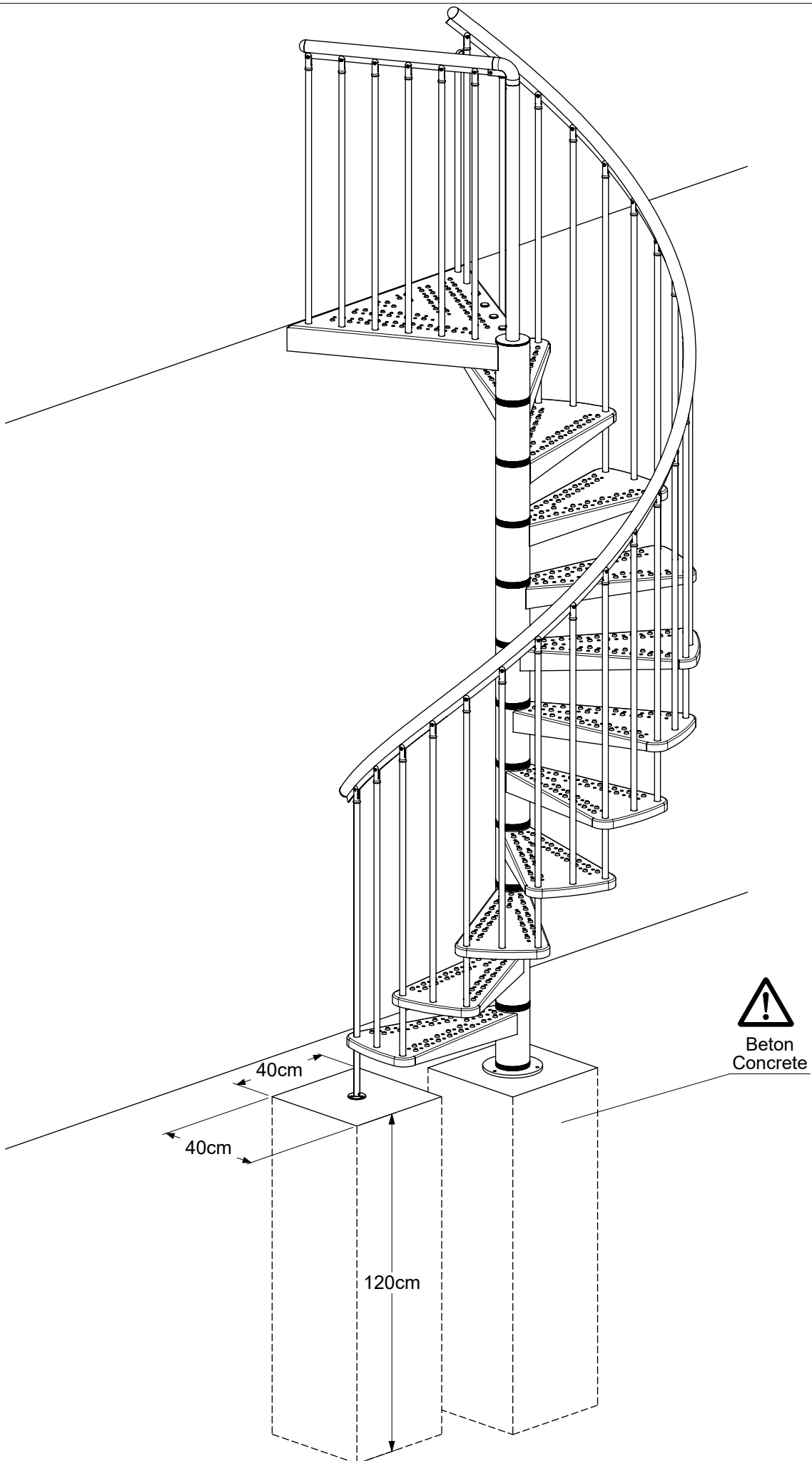


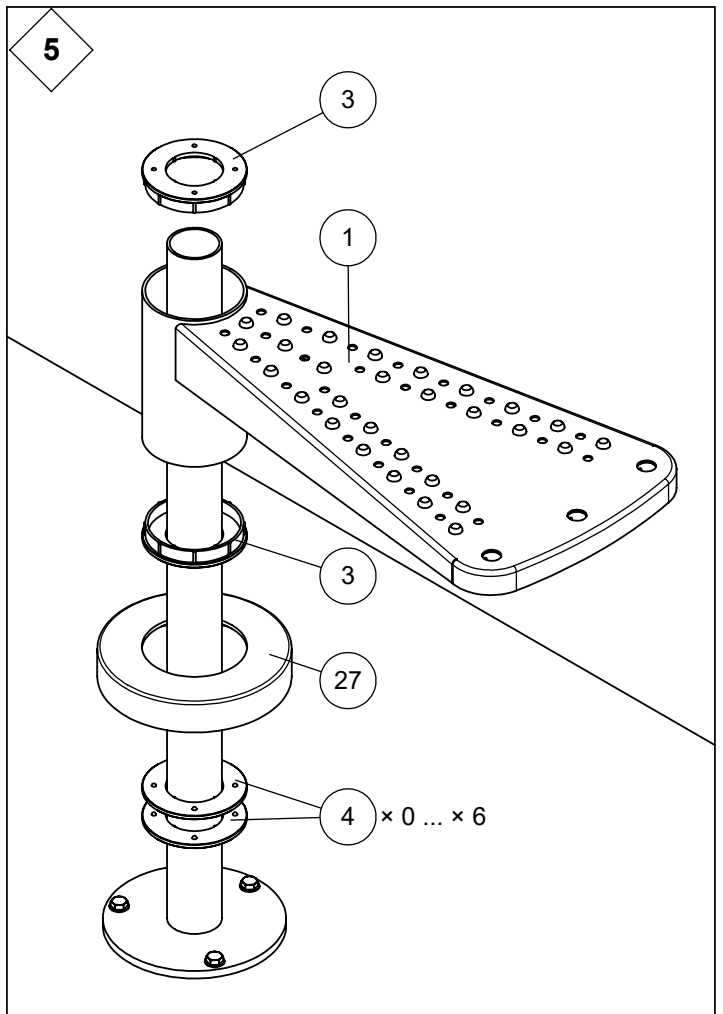
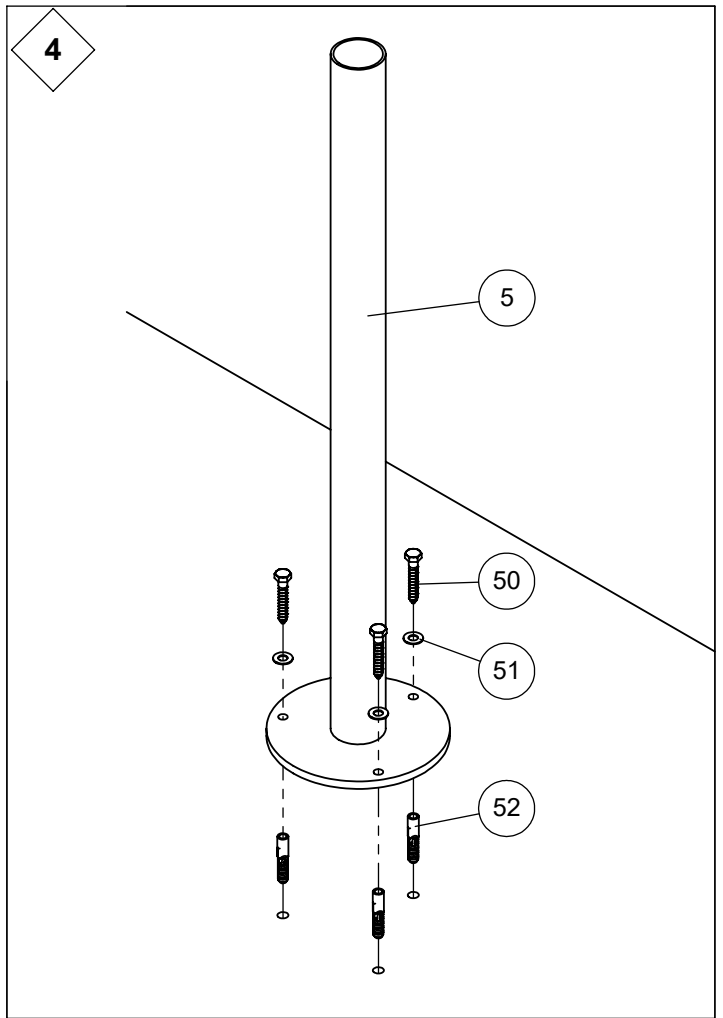
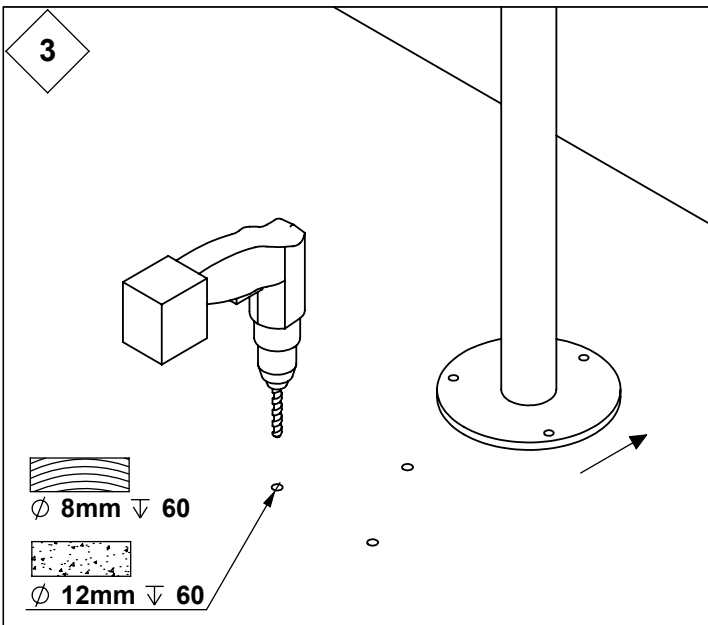
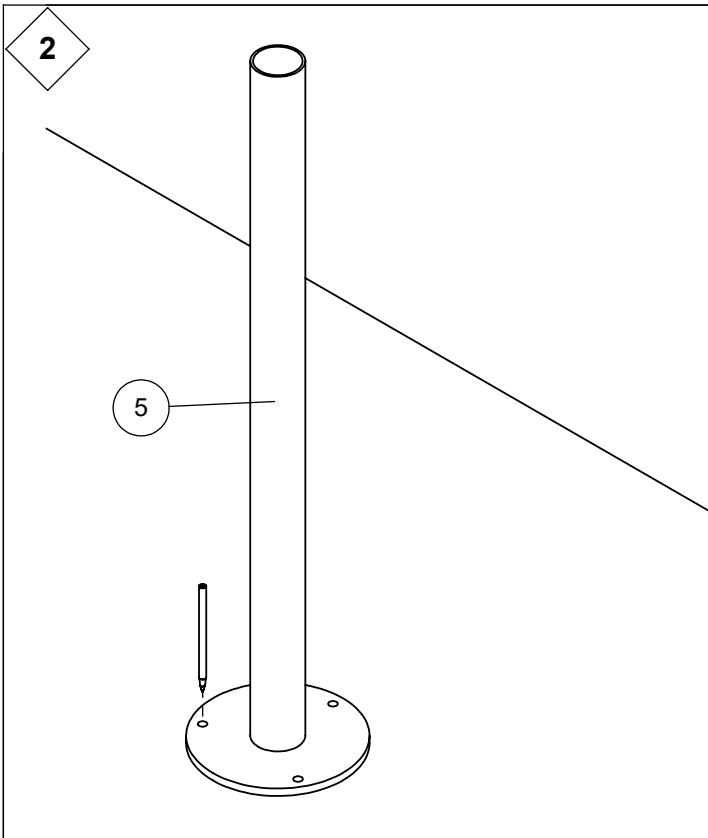
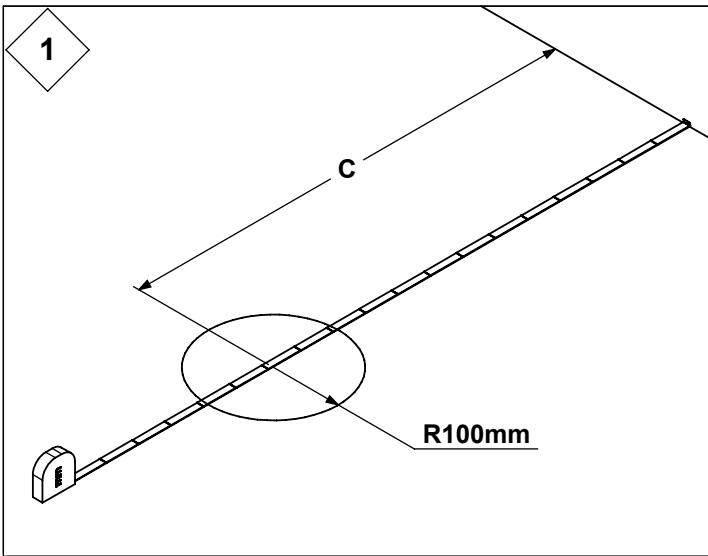
| 2700 | 5 | T |
|------|---|---|
| 2785 | 5 | 5 |
| 2790 | 5 | 6 |
| 2795 | 5 | 7 |
| 2800 | 5 | 8 |

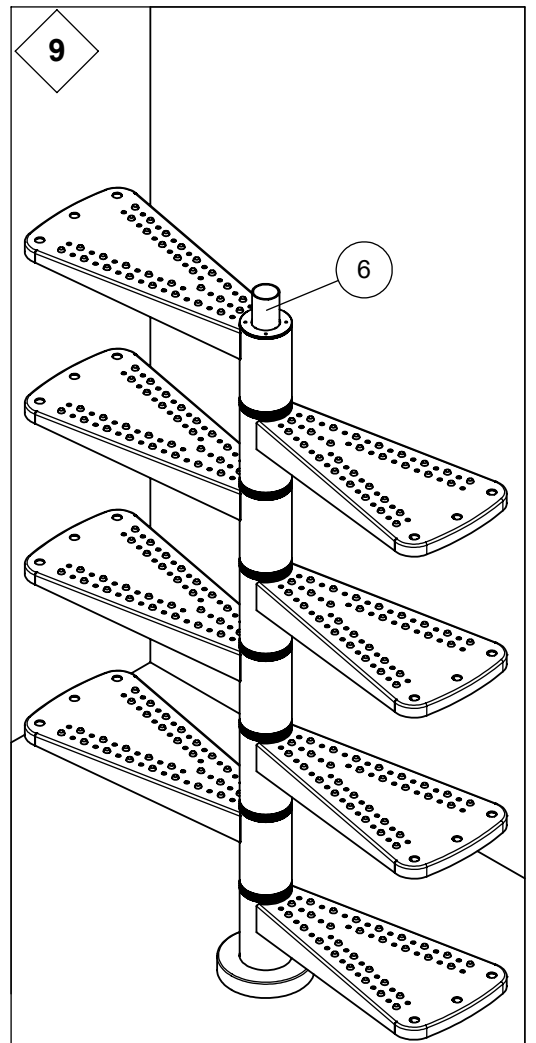
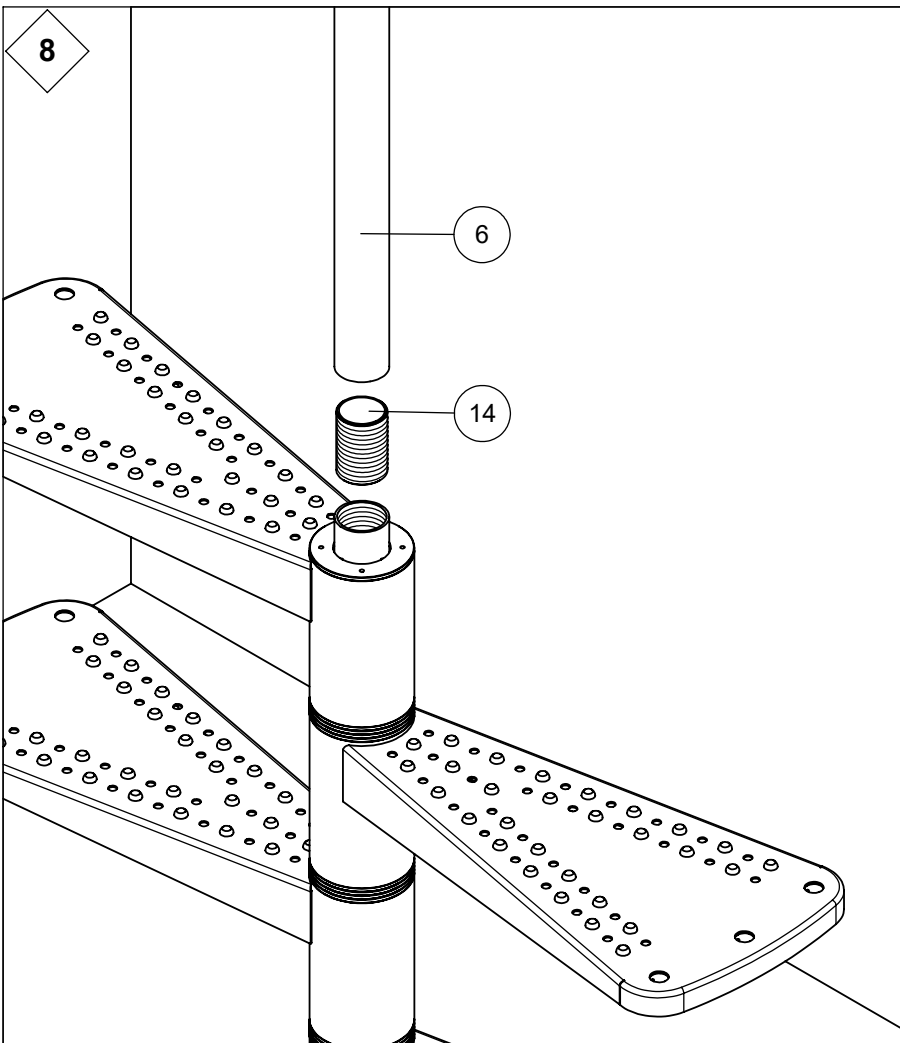
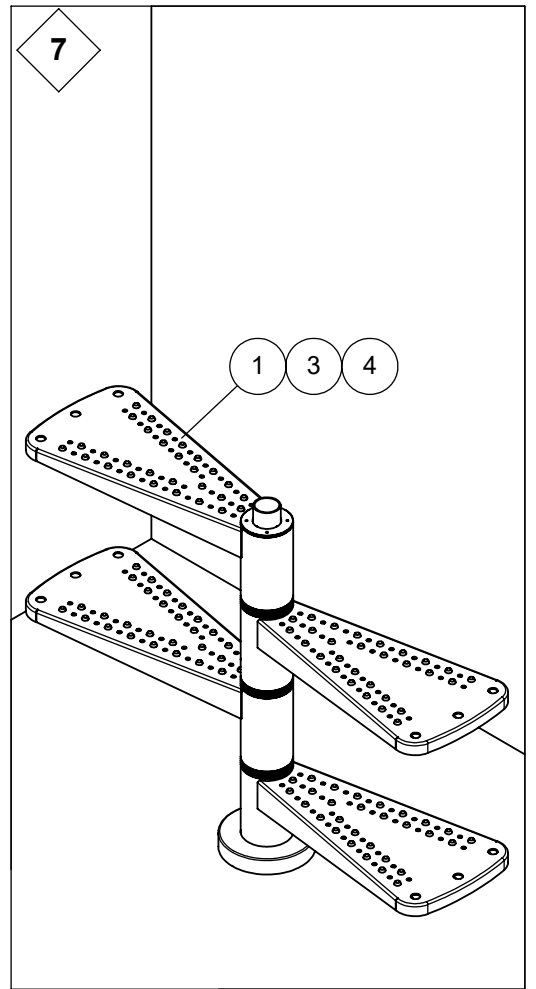
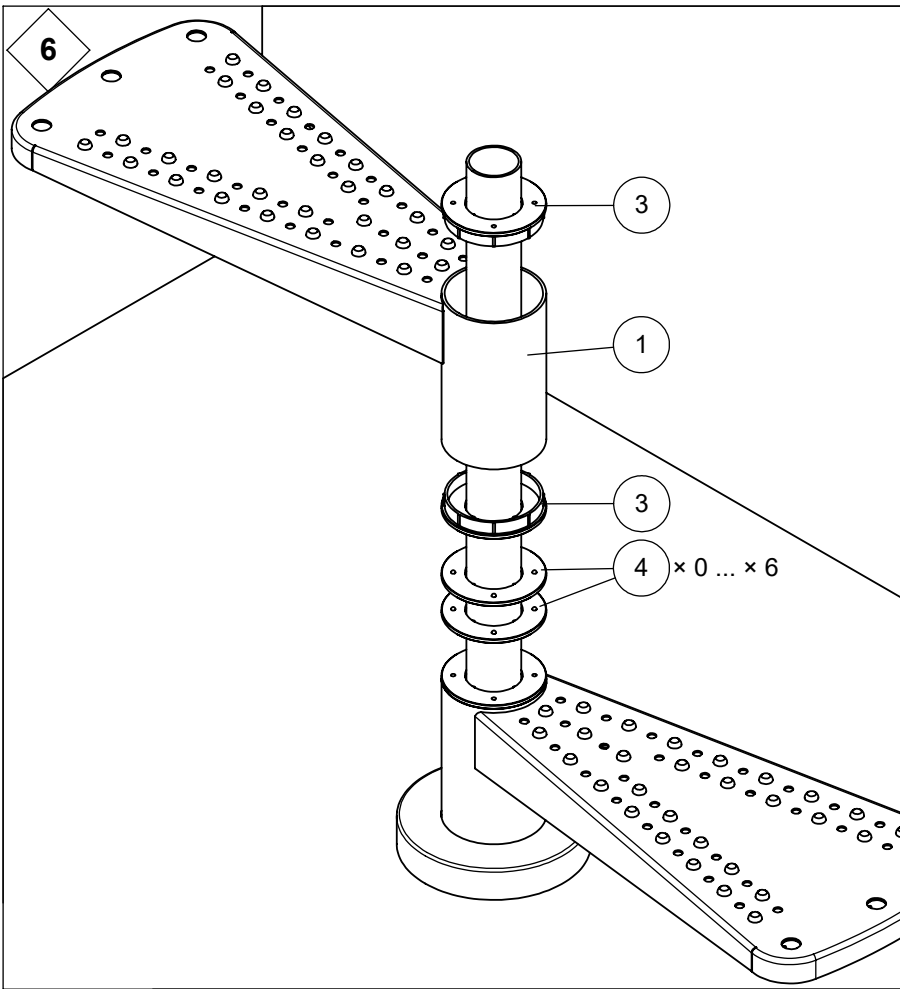


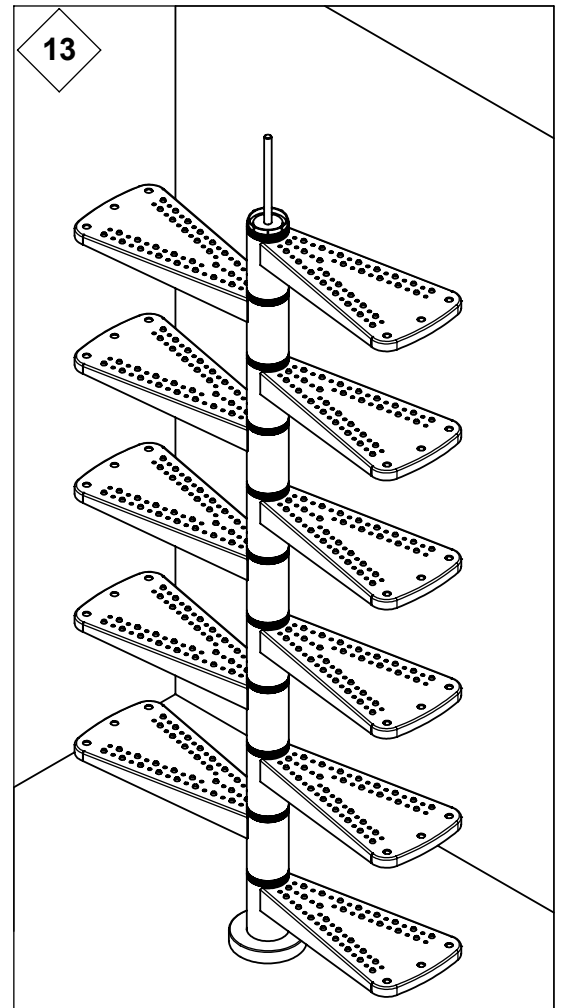
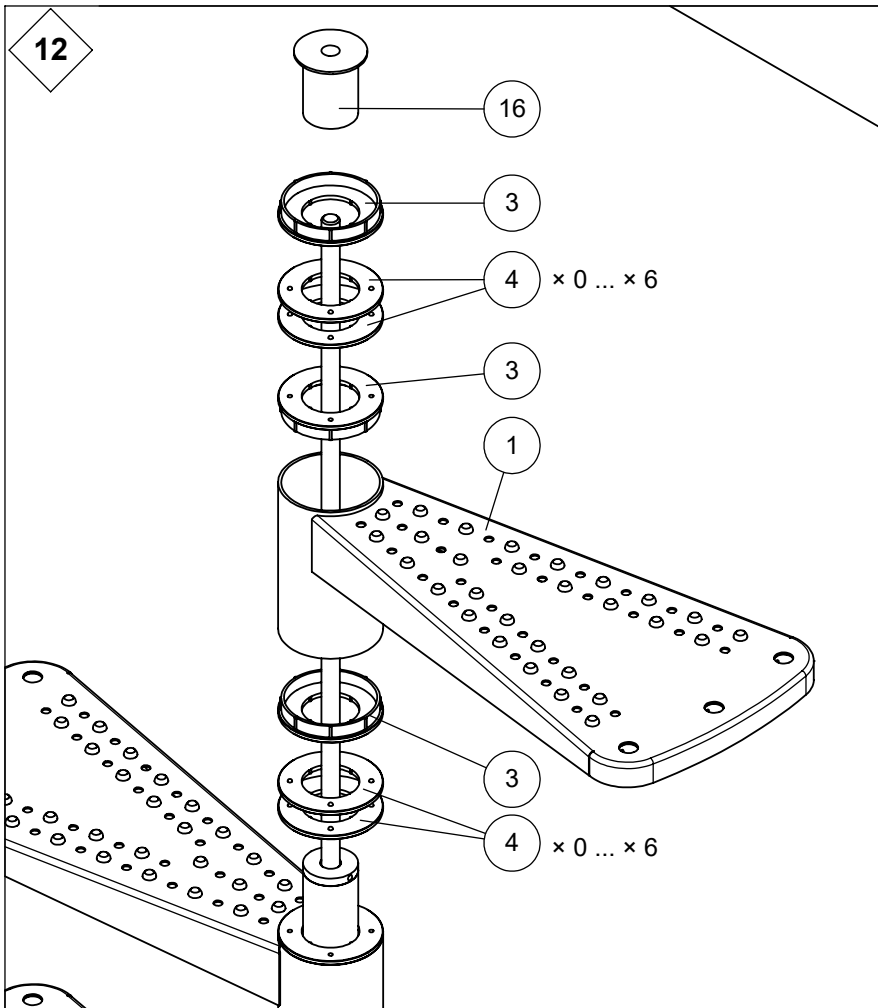
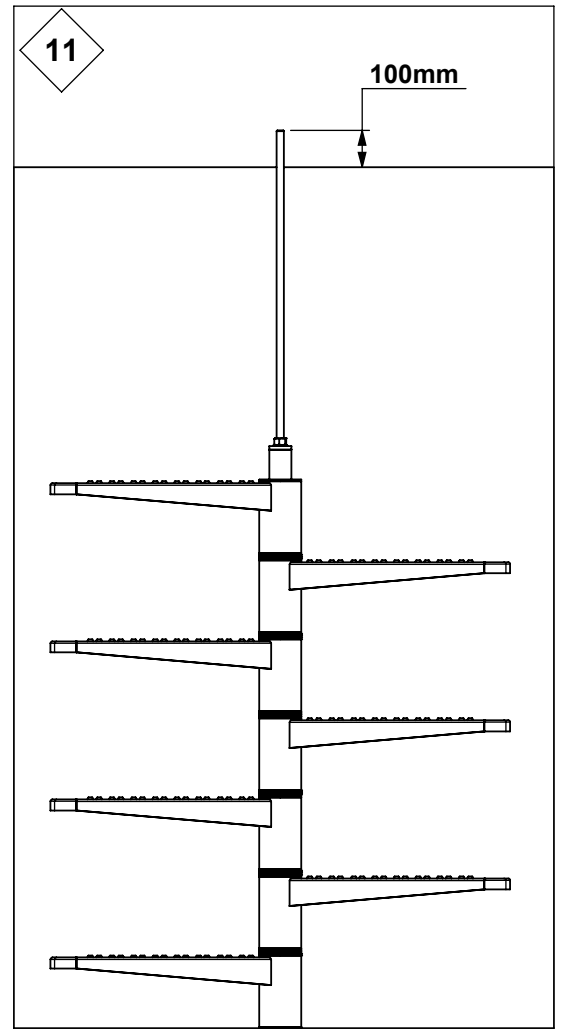
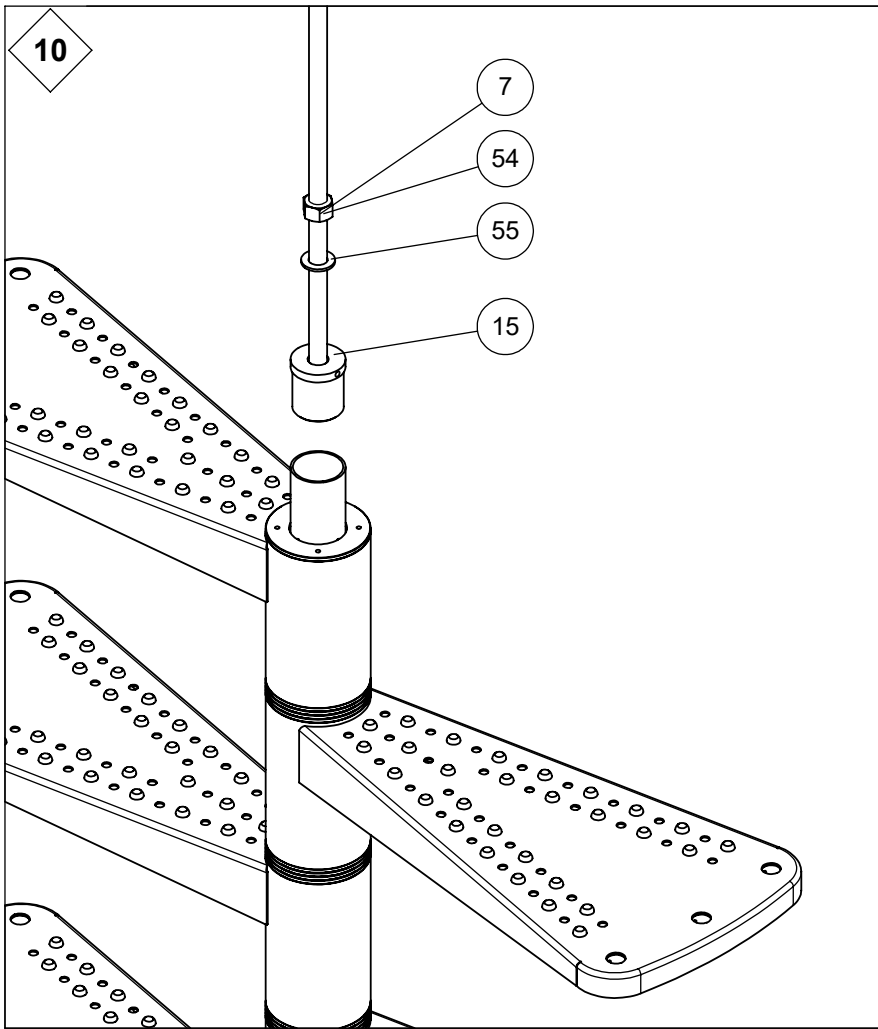
| Ø 125 cm | | |
|---|-----|------|
|  | A | B |
| | mm | mm |
| 11 | 472 | -565 |
| 12 | 263 | -451 |
| 13 | 115 | -263 |
| 14 | 54 | -33 |
| 15 | 89 | 204 |
| 16 | 215 | 406 |

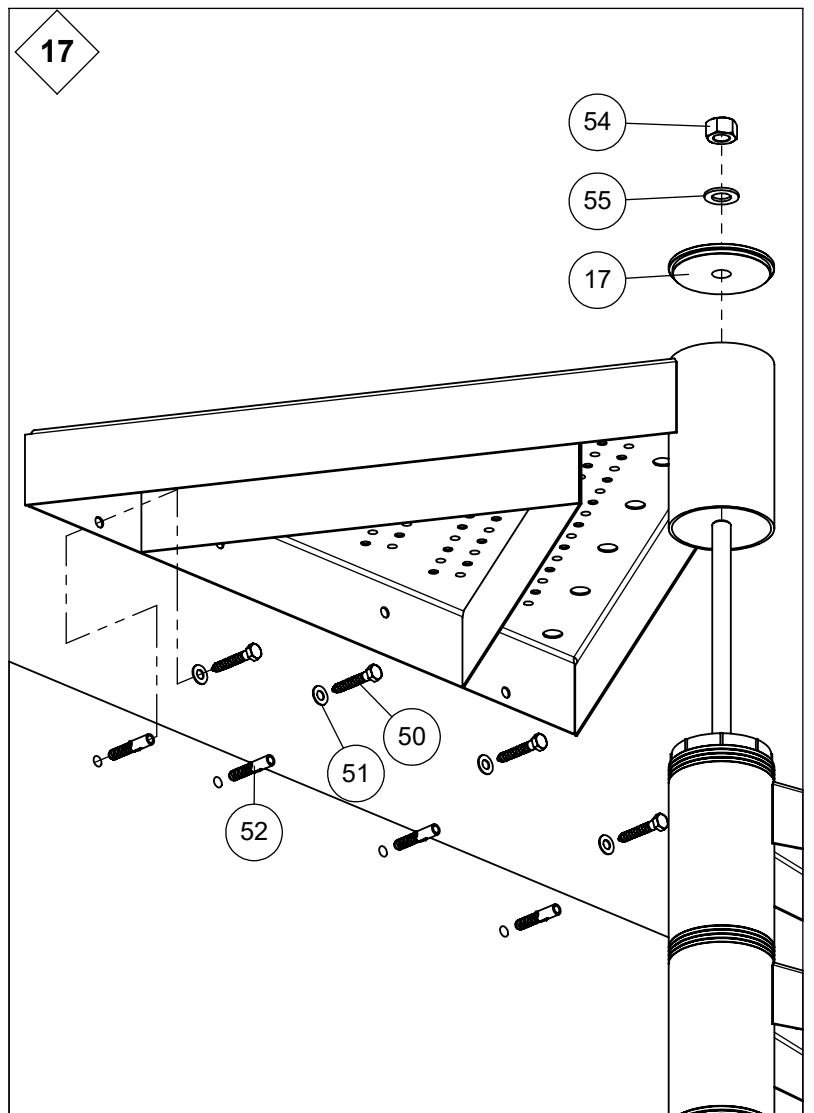
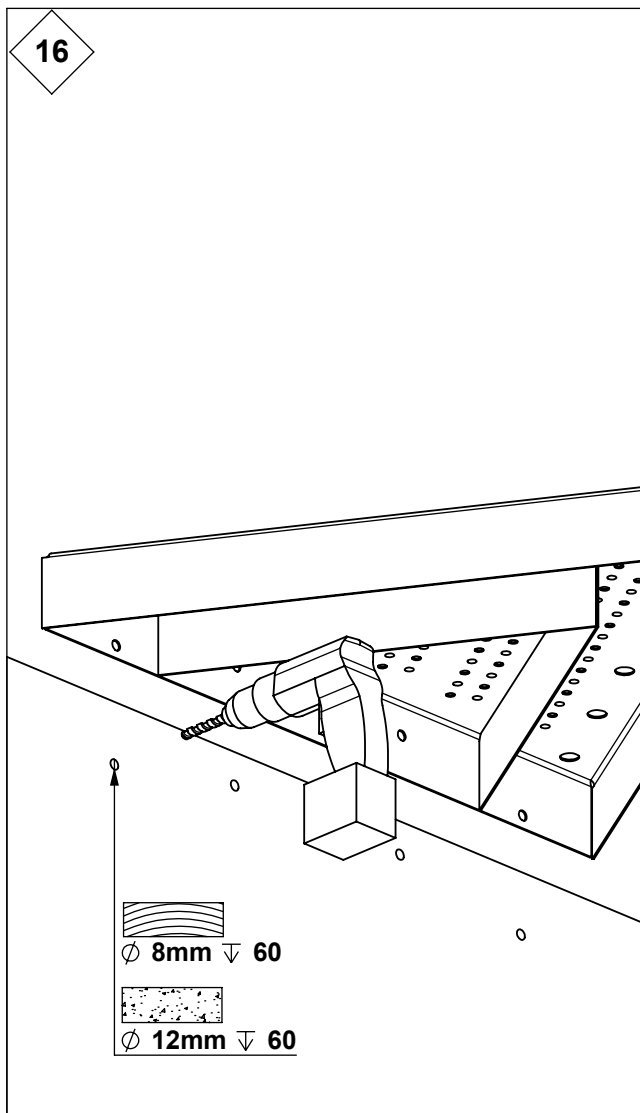
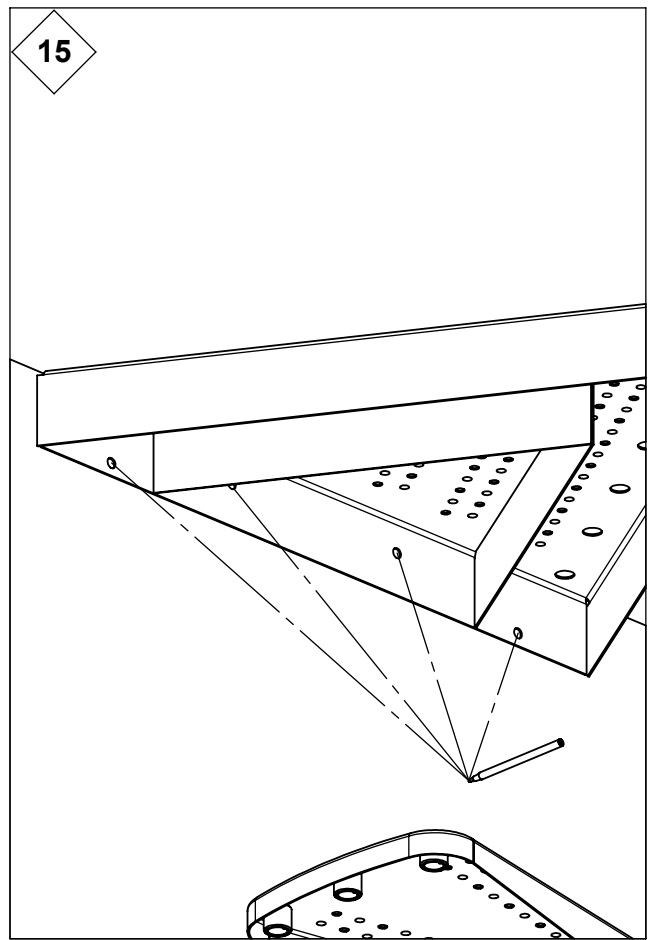
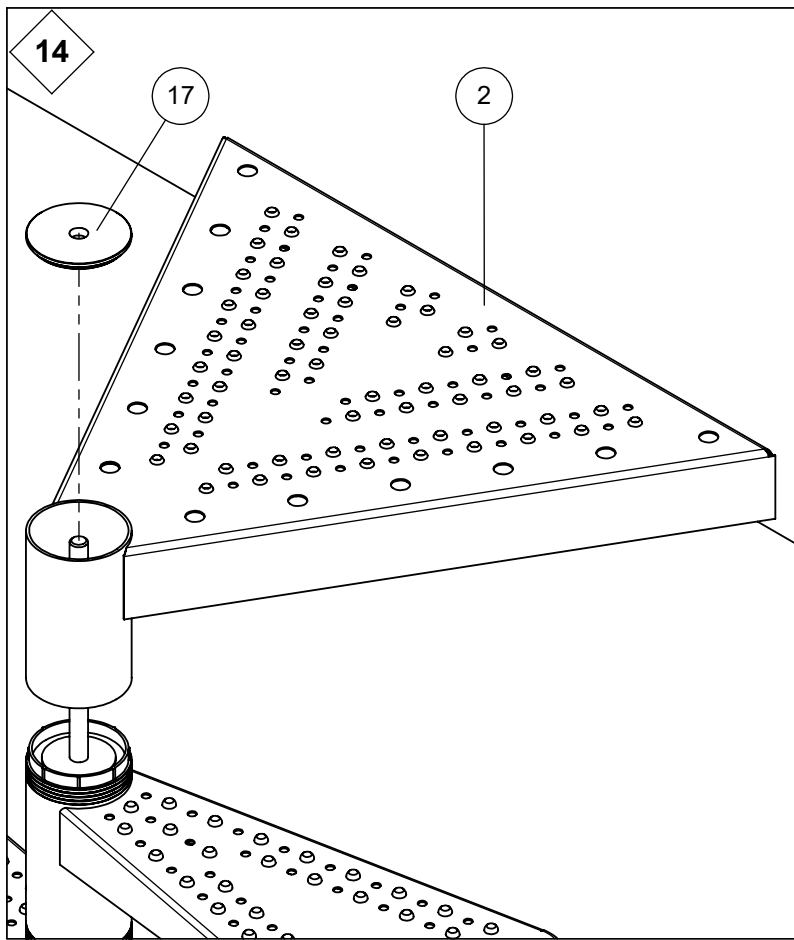
0

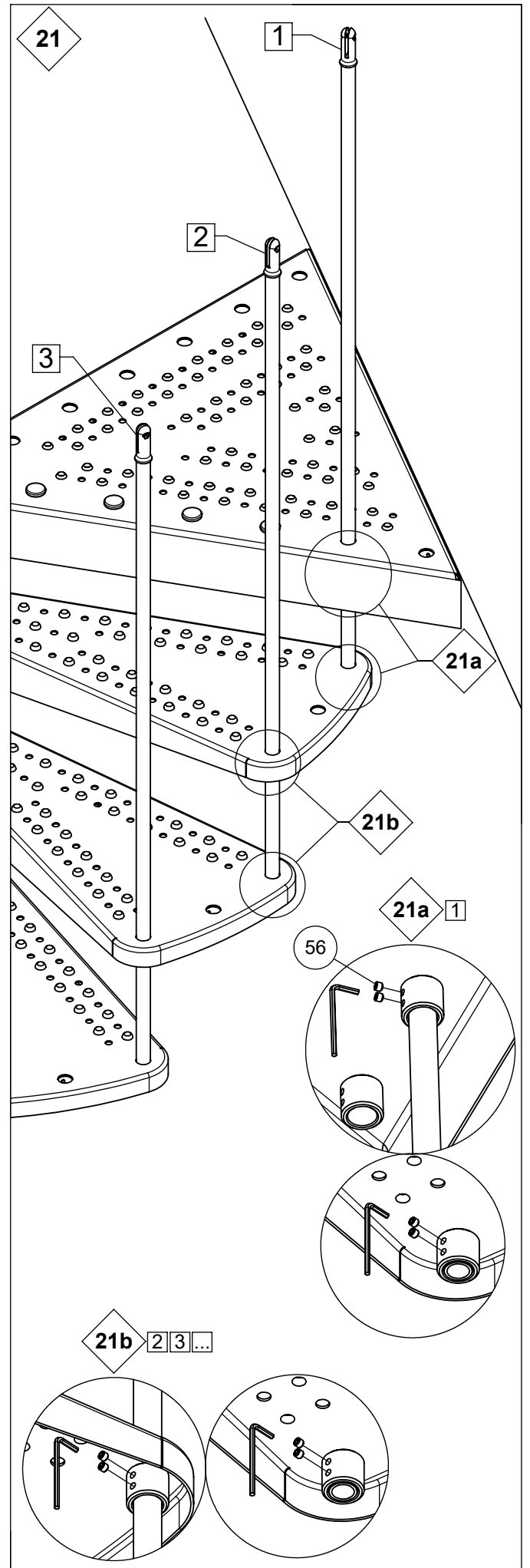
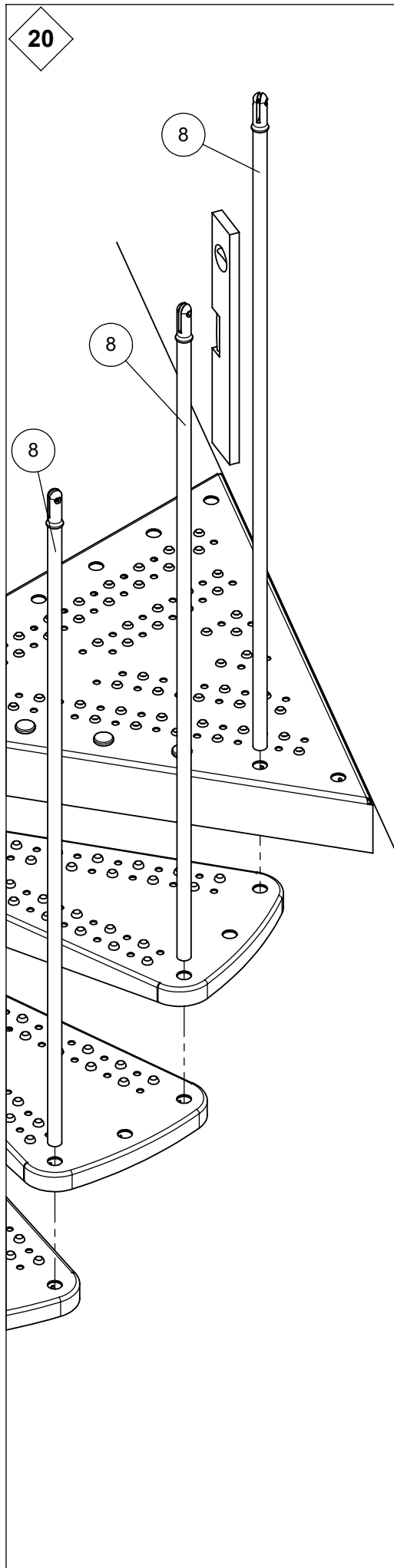
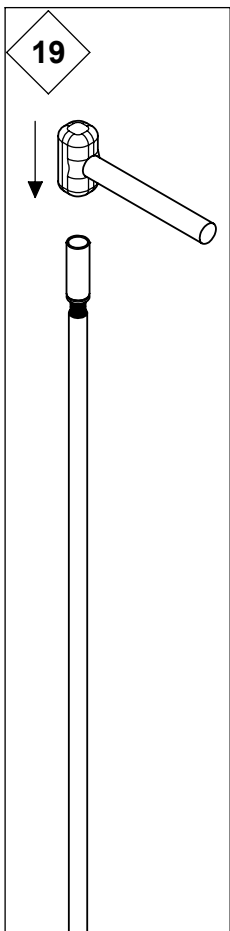
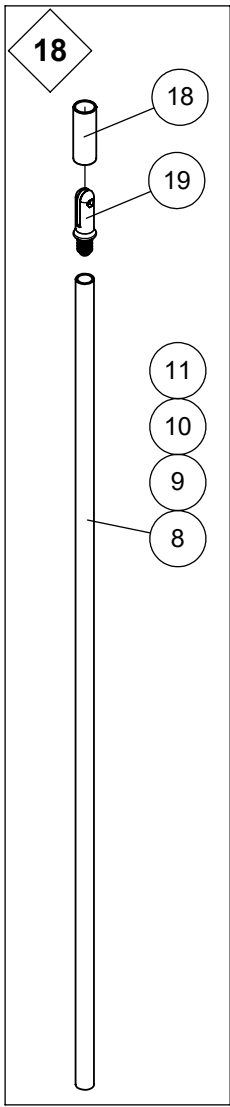


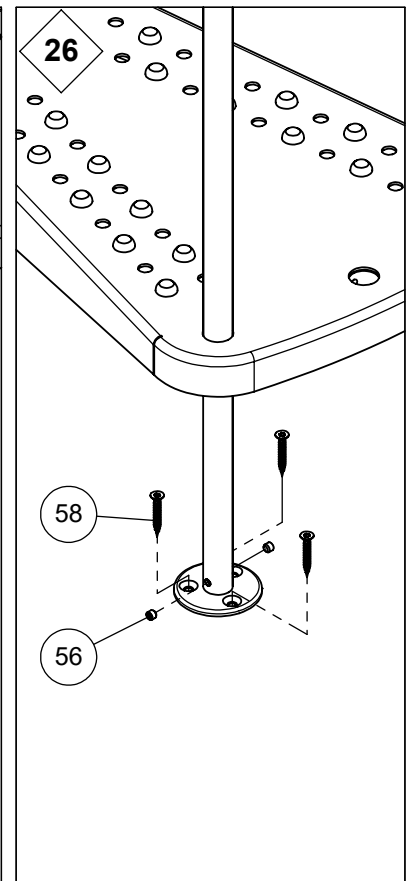
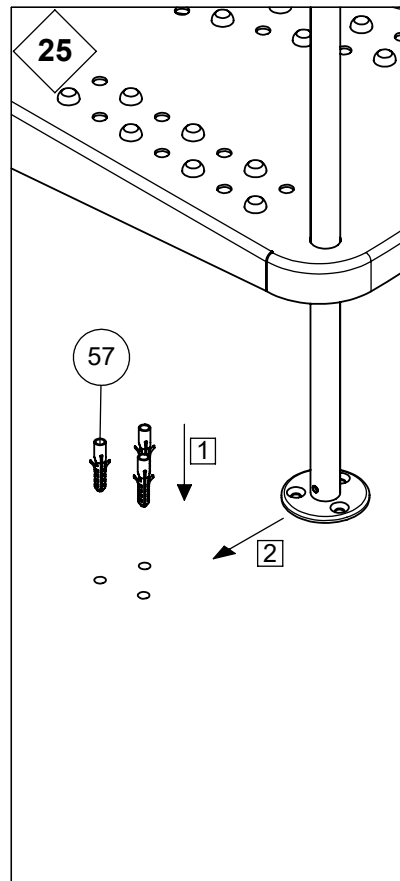
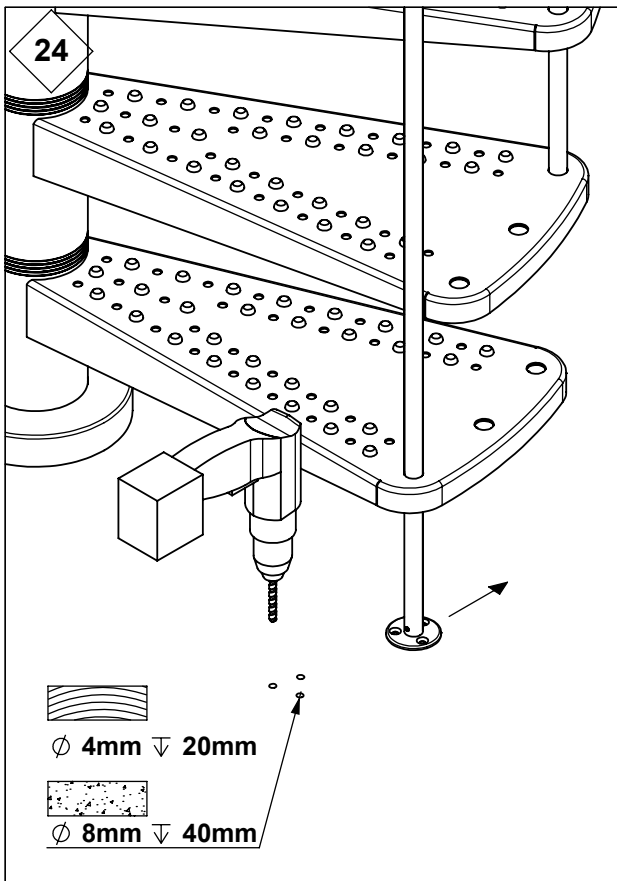
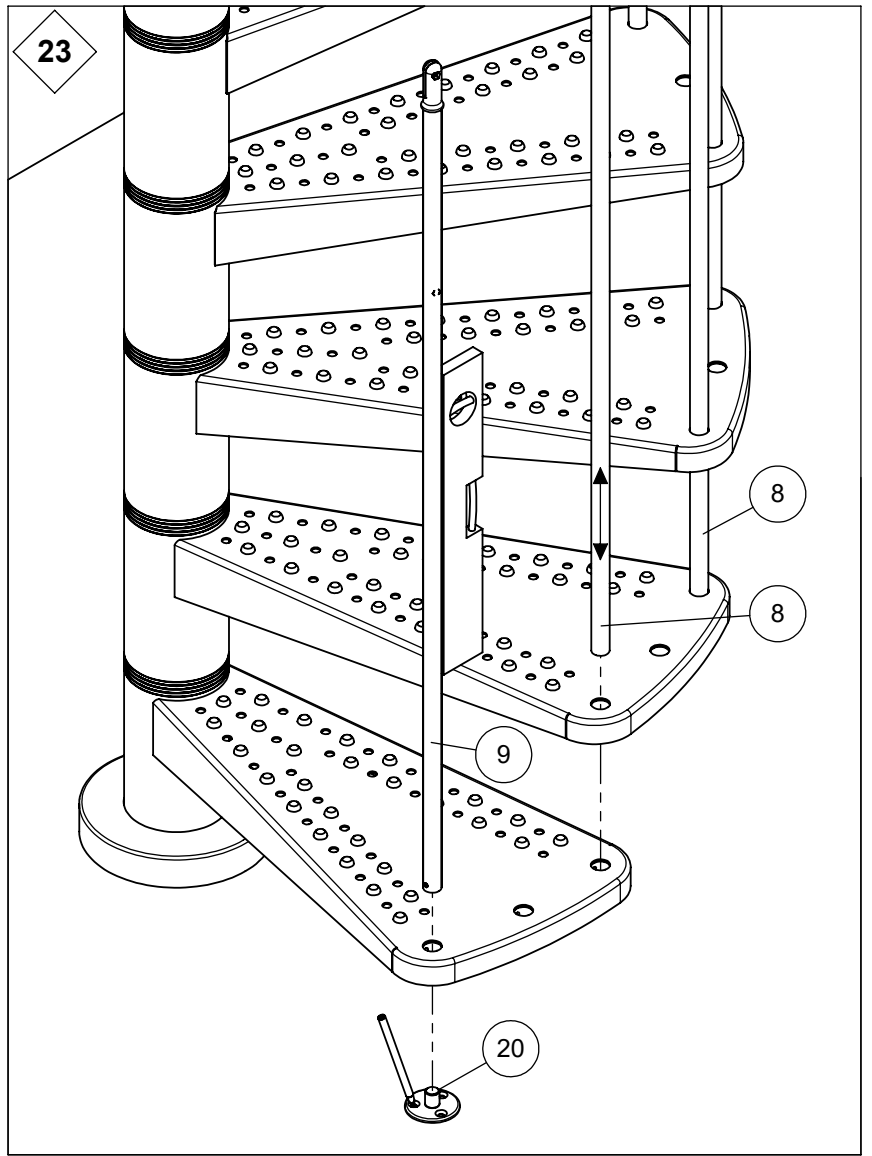
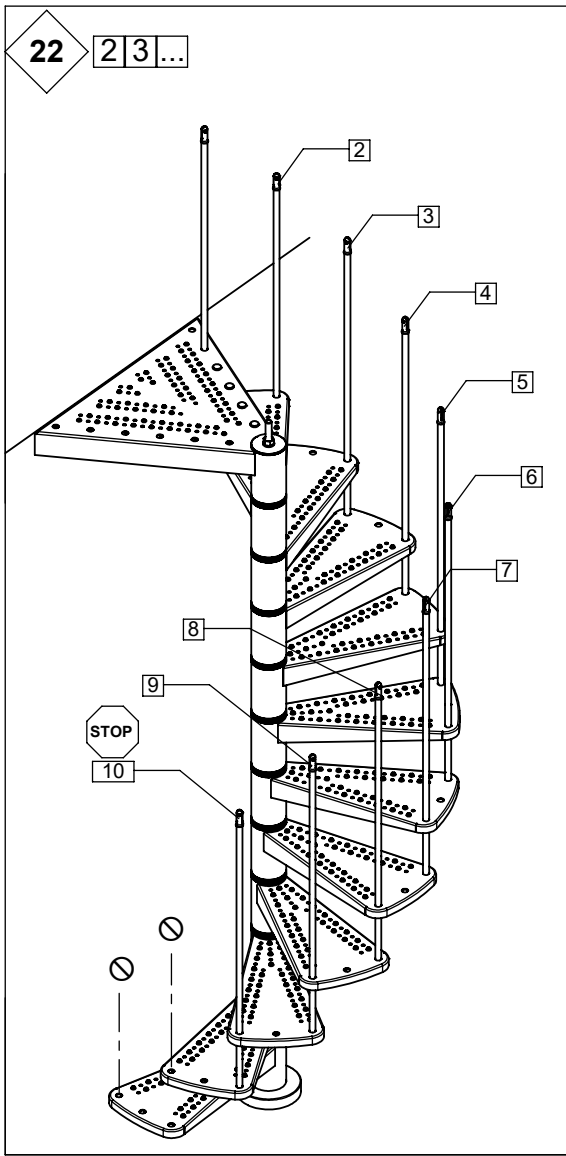


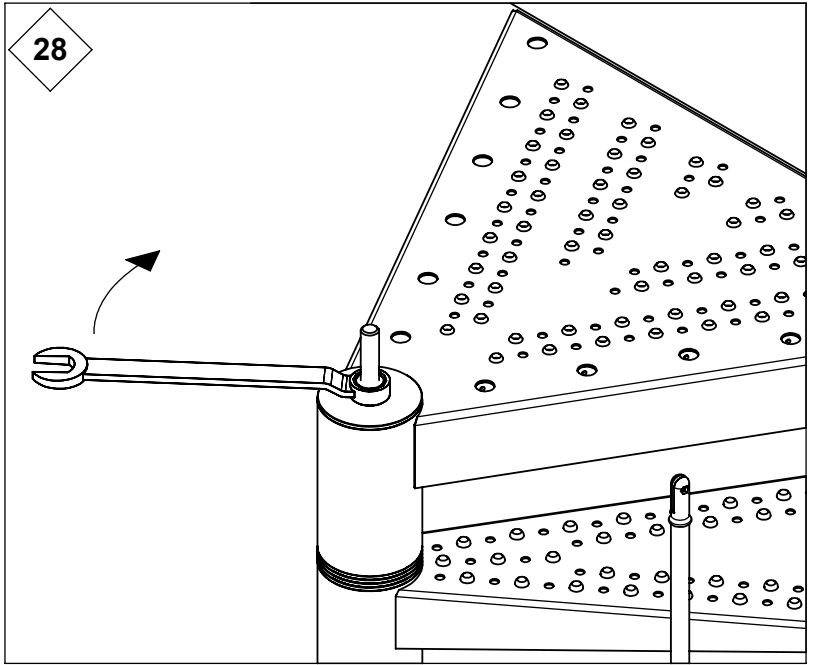
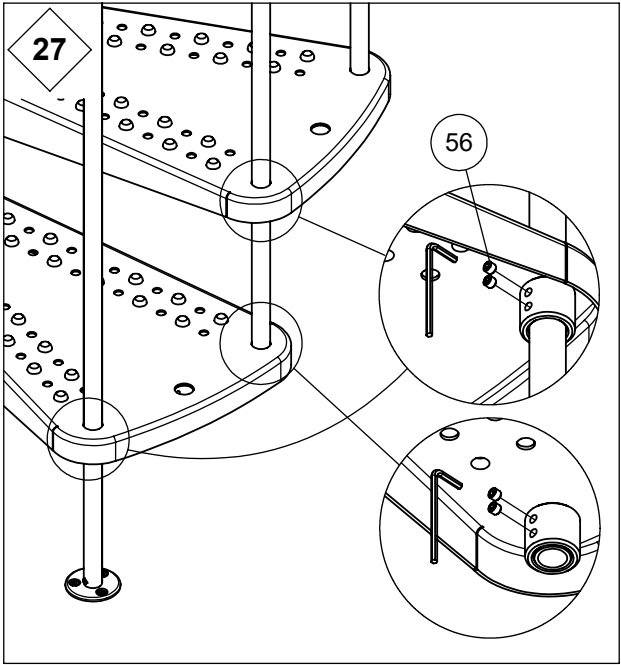


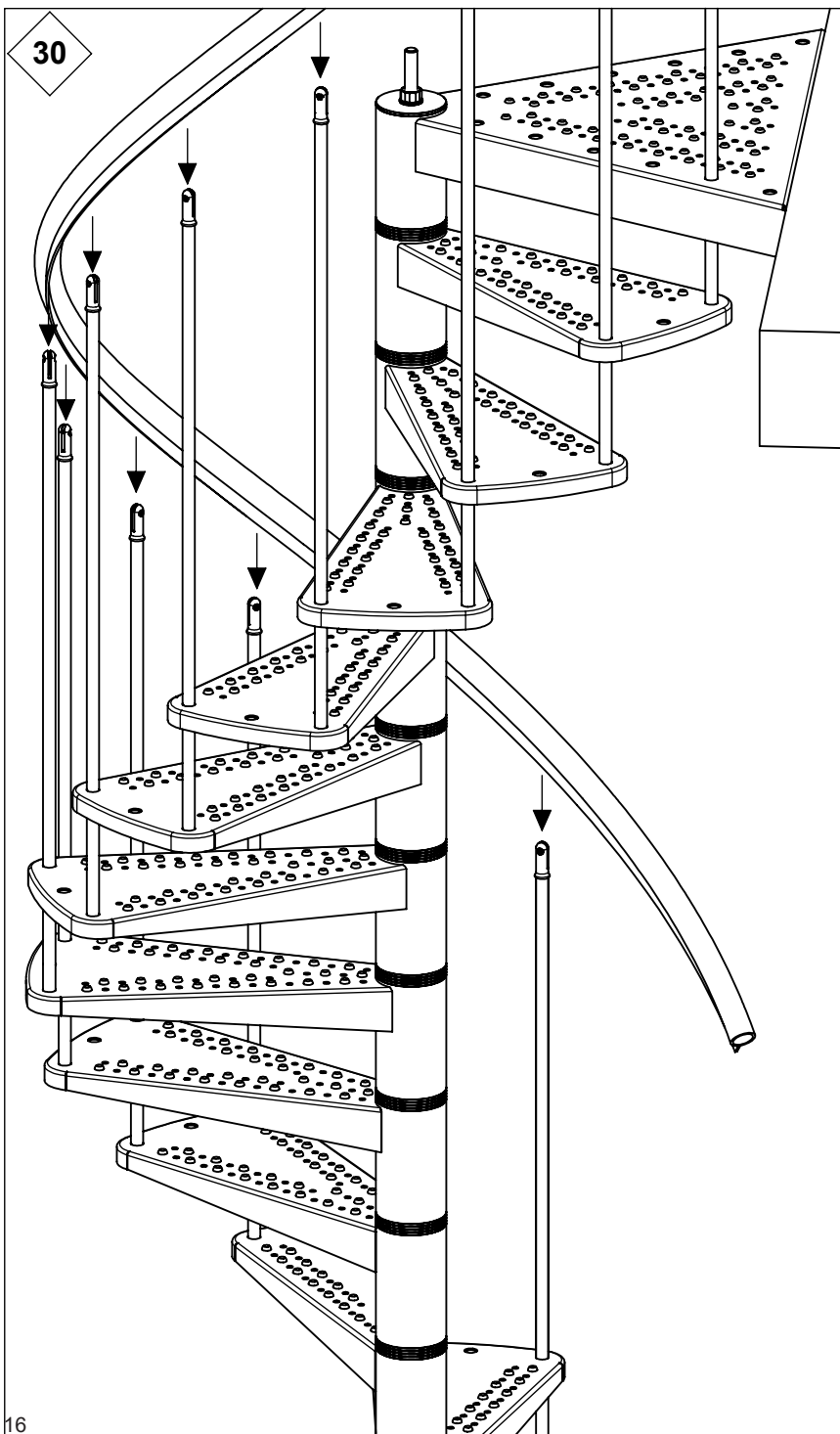
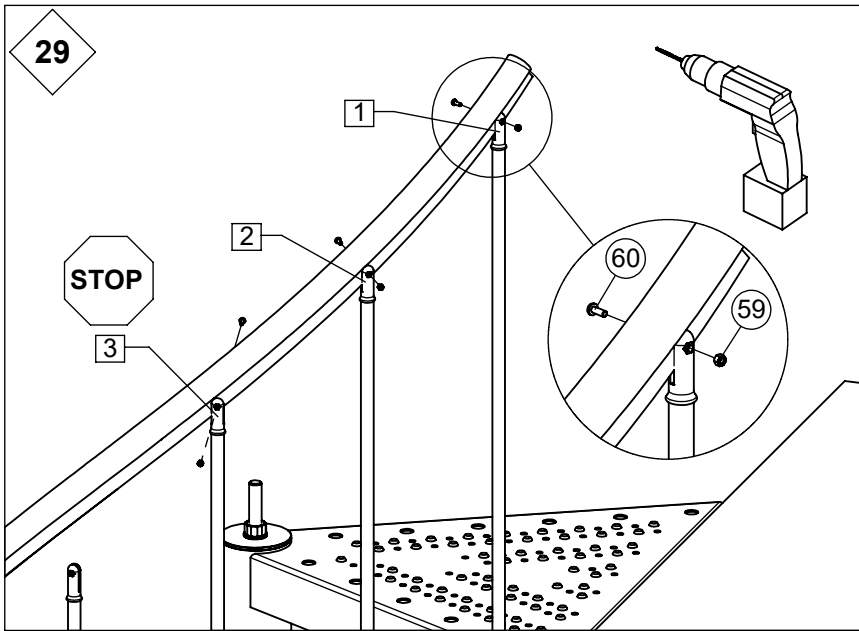












31

